

SERIES KAC

Surface Mount Terminations (SMT)

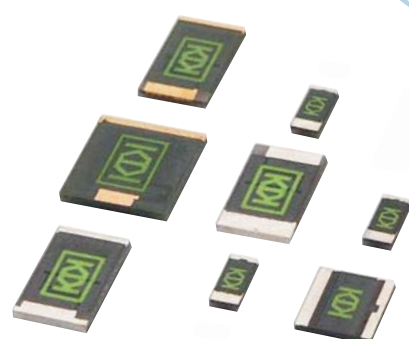
High Power, Aluminum Nitride (AlN), 10 - 150 Watts

RoHS
Compliant

AEROFLEX
A passion for performance.

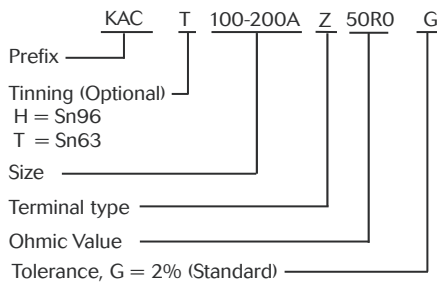
GENERAL INFORMATION

Aeroflex/Inmet's series of High Power Surface Mount Terminations are ideal for high frequency applications where small size and low costs are an important design criteria. The ability of these chips to be directly mounted to the PC Board eliminates the need for expensive mounting flanges and input tabs. Large solderable surface areas on the bottom of the chips allows for higher power dissipation in smaller sizes. All KAC series chips are manufactured using environmentally friendly Aluminum Nitride ceramic and are classified as RoHS compliant.



ORDERING INFORMATION

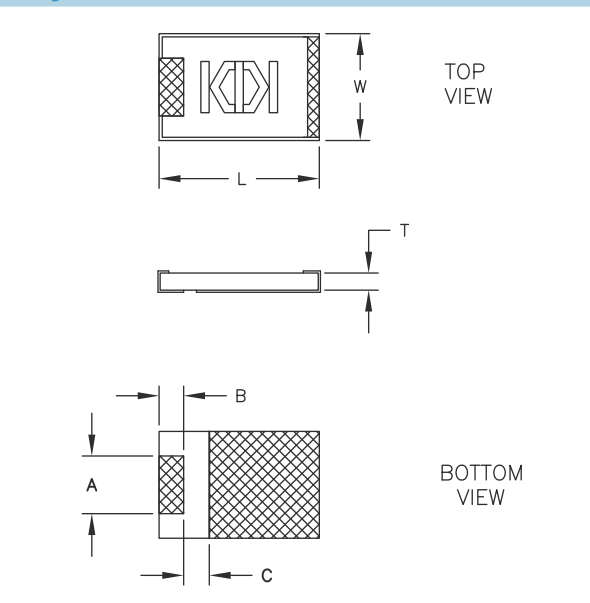
EXAMPLE: Typical Model No.



NOTE

Tinning with Sn96 "Lead Free" high temperature solder will maintain RoHS compliance.

PHYSICAL DIMENSIONS



GENERAL SPECIFICATIONS

| | |
|-----------------------|----------------------------------|
| Substrate | Aluminum Nitride |
| Solderable Terminals | Electroplated Silver over Nickel |
| Resistive Element | Proprietary Thick Film |
| Operating Temperature | -55 to +150°C |
| Impedance (Nominal) | 50 Ohms |

PERFORMANCE SPECIFICATIONS

| Model Prefix | W in (mm) | L in (mm) | T in (mm) | A in (mm) | B in (mm) | C in (mm) | VSWR | Power CW | Frequency GHz |
|----------------|--------------|--------------|--------------|--------------|--------------|--------------|------|-------------|------------------|
| KAC 60 – 120A | 0.060 (1,52) | 0.120 (3,05) | 0.025 (0,64) | 0.054 (1,37) | 0.026 (0,66) | 0.013 (0,33) | 1.25 | 10 | DC – 4.0 |
| KAC 100 – 200A | 0.100 (2,5) | 0.200 (5,1) | 0.040 (1,02) | 0.050 (1,27) | 0.025 (0,64) | 0.035 (0,89) | 1.25 | 20 | DC – 2.5 |
| KAC 250 – 250A | 0.250 (6,4) | 0.250 (6,4) | 0.040 (1,02) | 0.040 (1,02) | 0.043 (1,09) | 0.020 (0,51) | 1.25 | 75 | DC – 4.0 |
| KAC 250 – 375A | 0.250 (6,4) | 0.375 (9,5) | 0.040 (1,02) | 0.135 (3,43) | 0.058 (1,47) | 0.060 (1,52) | 1.25 | 100 | DC – 3.0 |
| KAC 375 – 375A | 0.375 (9,5) | 0.375 (9,5) | 0.040 (1,02) | 0.125 (3,18) | 0.057 (1,48) | 0.030 (0,76) | 1.25 | 150 | DC – 3.0 |

KEY: Inches [Millimeters] .XX ±.03 .XXX ±.010 LX ±0.8 .XX ±0.25J

AEROFLEX
INMET

300 Dino Drive, Ann Arbor, MI 48103
Tel: 888-244-6638 or 734-426-5553 • Fax: 734-426-5557
www.aeroflex.com/inmet • inmet@aeroflex.com