



# S6U4

## SWITCH

### SINGLE-POLE, SIX-THROW ABSORPTIVE

Frequency Range (min)	0.5 – 6	GHz
Insertion Loss (max)	3.0	dB
VSWR (max)	1.9	ratio
Isolation (min)	75	dB
Switching speed (max)	100	nsec
CW RF power, operating (max)	0.5	W

**NOTES:**

DC Bias: +5V +/-0.5V @ 240mA max  
(Standard) -15V +/-3V @ 50mA max

DC Bias: +5V +/-0.5V @ 300mA max  
(-5 option) -5V +/-0.5V @ 60mA max

DC Bias: +15V +/-3V @ 240mA max  
(-12 option) -15V +/-3V @ 50mA max

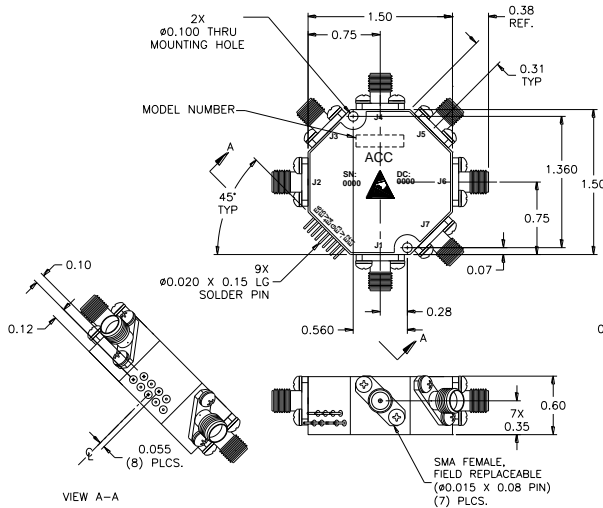
Control: TTL 0 = Low Loss E1 controls J2 – J1  
(Standard) TTL 1 = Isolation E2 controls J3 – J1  
E3 controls J4 – J1  
E4 controls J5 – J1  
E5 controls J6 – J1  
E6 controls J7 – J1

Absorptive switch: Internal 50Ω terminations at J2, J3, J4, J5, J6 and J7 (in isolation mode).

Switching speed is defined as 50%TTL to 90% (t-on) and 50%TTL to 10%RF (t-off).

**ENVIRONMENTAL SPECIFICATIONS:**

MIL-E-5400, MIL-STD-202, MIL-E-16400  
Operating Temp: -55°C to +85°C  
Storage Temp: -65°C to +125°C  
Humidity: MIL-STD-202F, M103, Cond B  
Shock: MIL-STD-202F, M213, Cond B  
Altitude: MIL-STD-202F, M105, Cond B  
Vibration : MIL-STD-202F, M204, Cond B  
Thermal Shock: MIL-STD-202F, M107, Cond A  
Temperature Cycle: MIL-STD-202F, M105C, Cond D



**OUTLINE CASE STYLE S6**

**PART NUMBER ORDERING INFORMATION:**

- Add "-RC" suffix: RoHS-compliant
- Add "-5" suffix: +/-5V DC supplies
- Add "-5-RC" suffix: +/-5V DC supplies, RoHS-compliant
- Add "-12" suffix: +/-12V to 18V DC supplies
- Add "-12-RC" suffix: +/-12V to 18V DC supplies, RoHS-compliant
- Add "-3": Three-bit logic control
- Add "-3-RC": Three-bit logic control, RoHS-compliant
- Add "-3-5" suffix: Three-bit logic control, +/-5V DC supplies

**MECHANICAL SPECIFICATIONS:**

Case Style: S6 Outline (Standard logic)  
S6-3 Outline (Three-bit logic)

Finish: Gold plate per MIL-G-45204

Connectors: SMA Female per MIL-C-39012

Bias & Control Pins: Ø0.02" x 0.15" long

Weight: 65g max

Mounting: Ø0.10" through holes (2) places

Three-bit control:

(-3 option)

E3 E2 E1 Low loss path

0 0 0 J2 – J1

0 0 1 J3 – J1

0 1 0 J4 – J1

0 1 1 J5 – J1

1 0 0 J6 – J1

1 0 1 J7 – J1

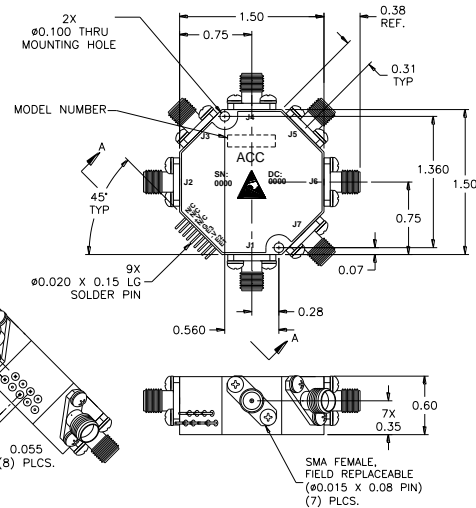
1 1 0 All off

1 1 1 All off

**SCREENING:**

Internal Visual per MIL-STD-883, Method 2017  
Temperature Cycle: -65°C to +100°C, 10 cycles

Hermetically-sealed switches are fine and gross leak checked per MIL-STD-883, Method 1014.



**OUTLINE CASE STYLE S6-3**

- Add "-3-5-RC" suffix: Three-bit logic control, +/-5V DC supplies, RoHS-compliant
- Add "-3-12" suffix: Three-bit logic control, +/-12V to 18V DC supplies ECL logic input
- Add "-3-12-RC" suffix: Three-bit logic control, +/-12V to 18V DC supplies, RoHS-compliant
- Add "-H" suffix: Hermetic seal (does not apply to RoHS-compliant models)