



S4H1R

SWITCH

SINGLE-POLE, FOUR-THROW REFLECTIVE

Frequency Range (min)	0.01 – 0.1	GHz
Insertion Loss (max)	1.0	dB
VSWR (max)	1.5	ratio
Isolation (min)	75	dB
Switching speed (max)	250	nsec
CW RF power, operating (max)	1	W

NOTES:

DC Bias: +5V +/-0.5V @ 160mA max
(Standard) -15V +/-3V @ 50mA max

DC Bias: +5V +/-0.5V @ 200mA max
(-5 option) -5V +/-0.5V @ 60mA max

DC Bias: +15V +/-3V @ 160mA max
(-12 option) -15V +/-3V @ 50mA max

Control: TTL 0 = Low Loss E1 controls J2 – J1
(Standard) TTL 1 = Isolation E2 controls J3 – J1
E3 controls J4 – J1
E4 controls J5 – J1

MECHANICAL SPECIFICATIONS:

Case Style: S4 Outline (Standard logic)
S4-2 Outline (Two-bit logic)
Finish: Gold plate per MIL-G-45204
Connectors: SMA Female per MIL-C-39012
Bias & Control Pins: $\varnothing 0.02''$ x 0.15'' long
Weight: 60g max
Mounting: $\varnothing 0.10''$ through holes (2) places

Two-bit control:
(-2 option)
E2 E1 Low loss path
0 0 J2 – J1
0 1 J3 – J1
1 0 J4 – J1
1 1 J5 – J1

Absorptive switch: Internal 50 Ω terminations at J2, J3, J4 and J5 (in isolation mode).

Switching speed is defined as 50%TTL to 90% (t-on) and 50%TTL to 10%RF (t-off).

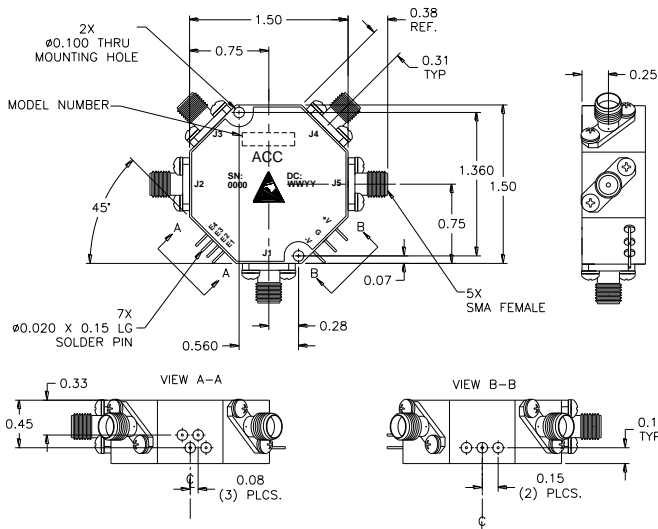
ENVIRONMENTAL SPECIFICATIONS:

MIL-E-5400, MIL-STD-202, MIL-E-16400
Operating Temp: -55°C to +85°C
Storage Temp: -65°C to +125°C
Humidity: MIL-STD-202F, M103, Cond B
Shock: MIL-STD-202F, M213, Cond B
Altitude: MIL-STD-202F, M105, Cond B
Vibration : MIL-STD-202F, M204, Cond B
Thermal Shock: MIL-STD-202F, M107, Cond A
Temperature Cycle: MIL-STD-202F, M105C, Cond D

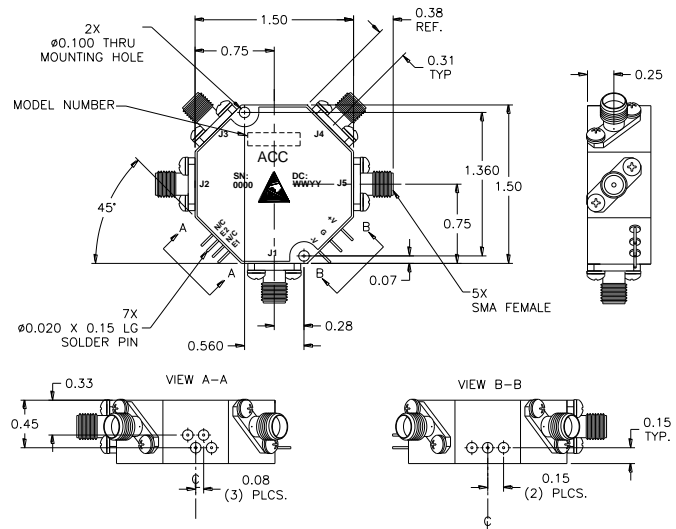
SCREENING:

Internal Visual per MIL-STD-883, Method 2017
Temperature Cycle: -65°C to +100°C, 10 cycles

Hermetically-sealed switches are fine and gross leak checked per MIL-STD-883, Method 1014.



OUTLINE CASE STYLE S4



OUTLINE CASE STYLE S4-2

PART NUMBER ORDERING INFORMATION:

- Add "-RC" suffix: RoHS-compliant
- Add "-5" suffix: +/-5V DC supplies
- Add "-5-RC" suffix: +/-5V DC supplies, RoHS-compliant
- Add "-12" suffix: +/-12V to 18V DC supplies
- Add "-12-RC" suffix: +/-12V to 18V DC supplies, RoHS-compliant
- Add "-2": Two-bit logic control
- Add "-2-RC" suffix: Two-bit logic control, RoHS-compliant
- Add "-2-5" suffix: Two-bit logic control, +/-5V DC supplies
- Add "-2-5-RC" suffix: Two-bit logic control, +/-5V DC supplies, RoHS-compliant
- Add "-2-12" suffix: Two-bit logic control, +/-12V to 18V DC supplies
- Add "-2-12-RC" suffix: Two-bit logic control, +/-12V to 18V DC supplies, RoHS-compliant
- Add "-H" suffix: Hermetic seal (does not apply to RoHS-compliant models)