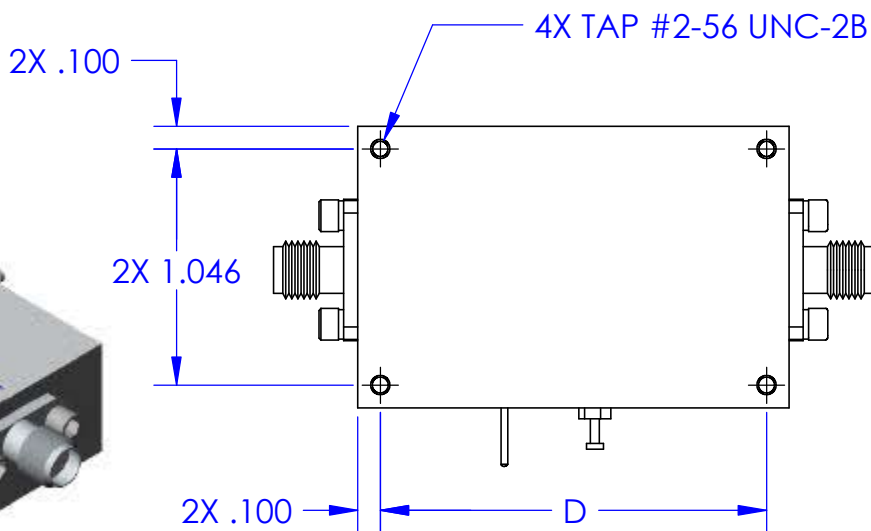
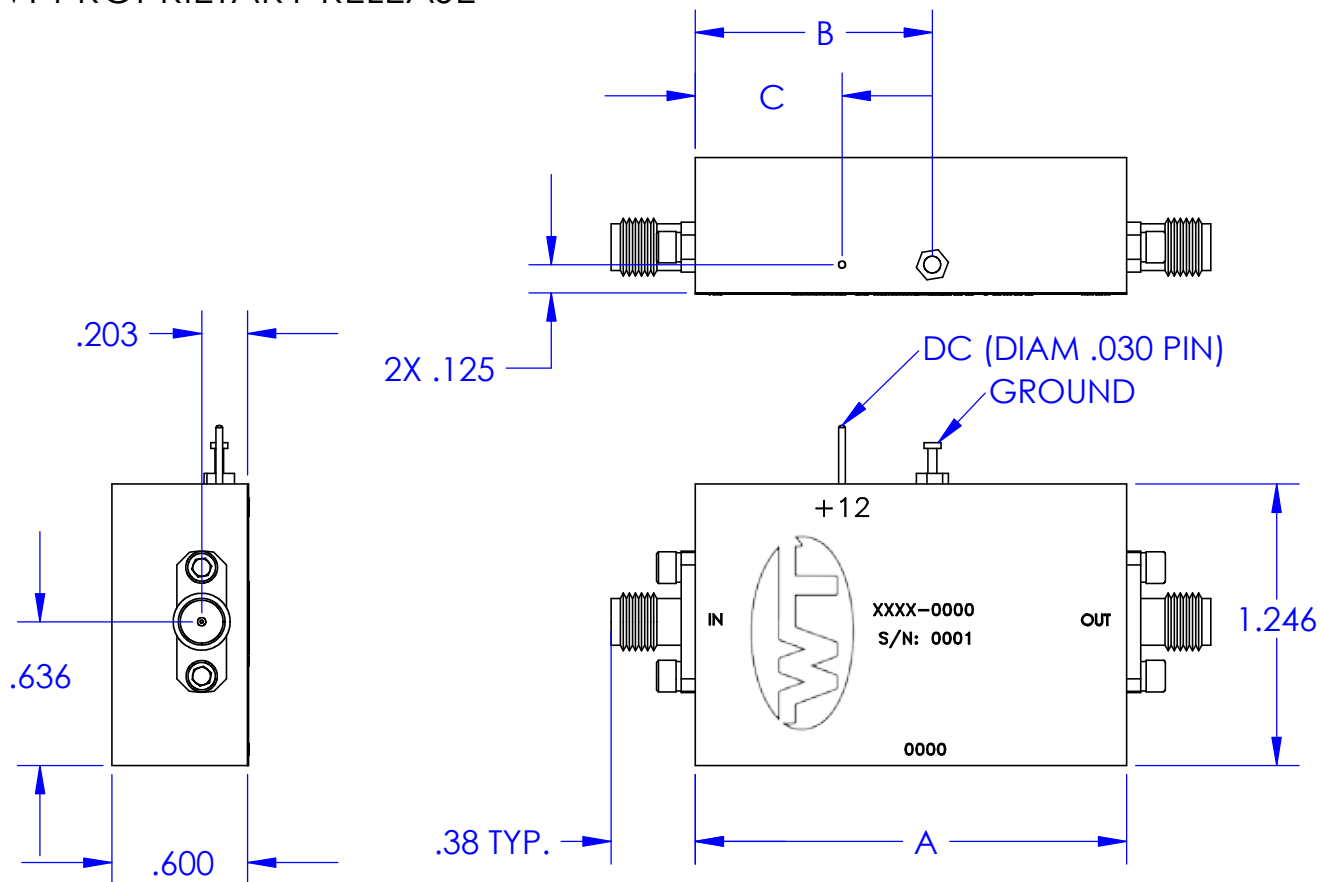


WT PROPRIETARY RELEASE



TYPE	A	B	C	D
4	1.910	1.050	.650	1.710
6	2.310	1.050	.650	2.110

COAX CONNECTOR OPTIONS:
SMA, 2.9mm, 2.4mm

DRAWING NOTES:
UNLESS OTHERWISE SPECIFIED
1) ALL DIMENSION TOLERANCES
±.010 AFTER PLATING
2) INTERPRET DRAWING PER ASME Y14.5M-1994

WRIGHT TECHNOLOGIES, Inc.

INSTALLATION DRAWING

WT PKD, PVD SERIES