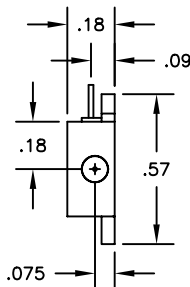
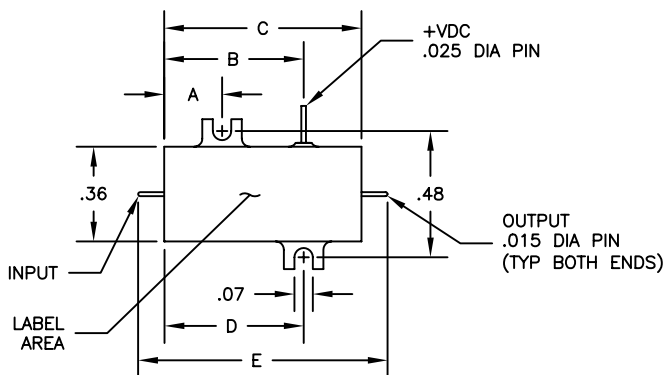
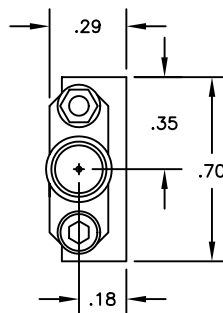
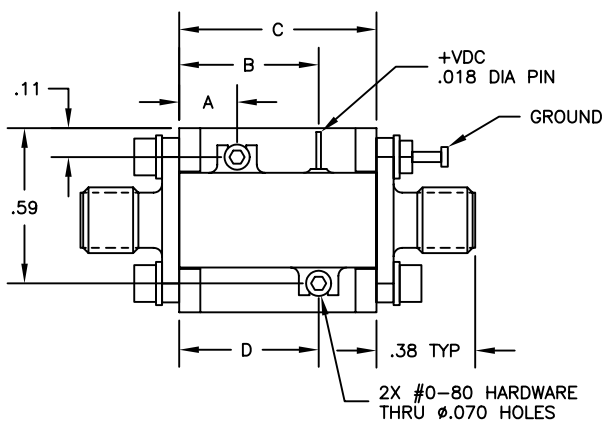
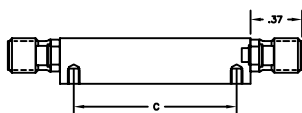
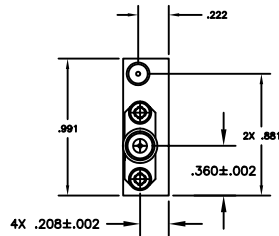
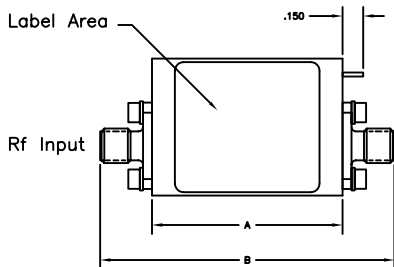
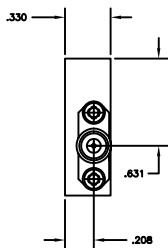
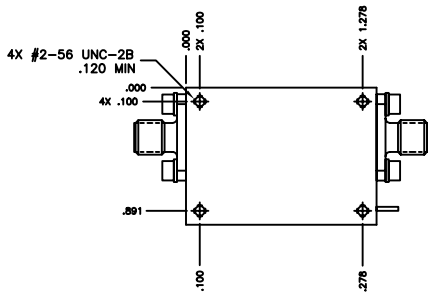


# ALQ-SERIES CASES



CASE	A	B	C	D	E
ALQ-2	.16	.28	.43	.27	.63
ALQ-3	.16	.32	.53	.38	.73
ALQ-4	.22	.43	.64	.42	.84
ALQ-5	.22	.53	.75	.53	.95
ALQ-6	.22	.64	.86	.64	1.06
ALQ-7	.22	.75	.97	.75	1.17
ALQ-8	.22	.86	1.08	.86	1.28

# MM-SERIES CASES



CASE	A	B	C
MM-2	.882	1.632	.682
MM-3	1.130	1.880	.930
MM-4	1.378	2.128	1.178
MM-5	1.626	2.376	1.426
MM-6	1.874	2.624	1.674