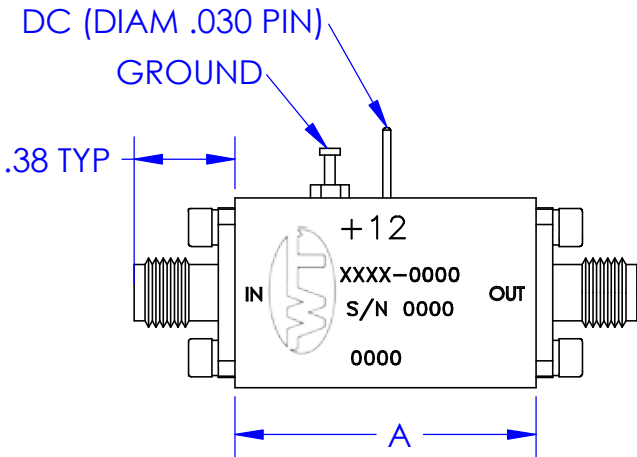
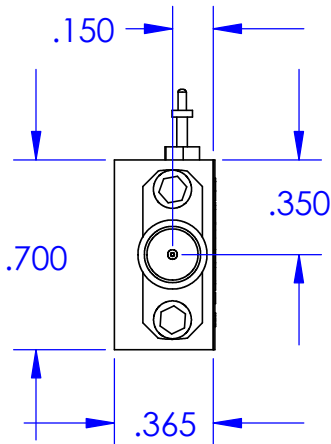
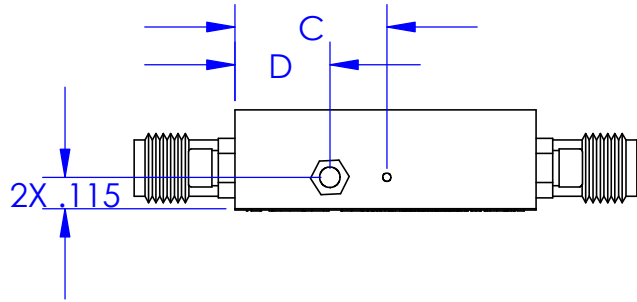
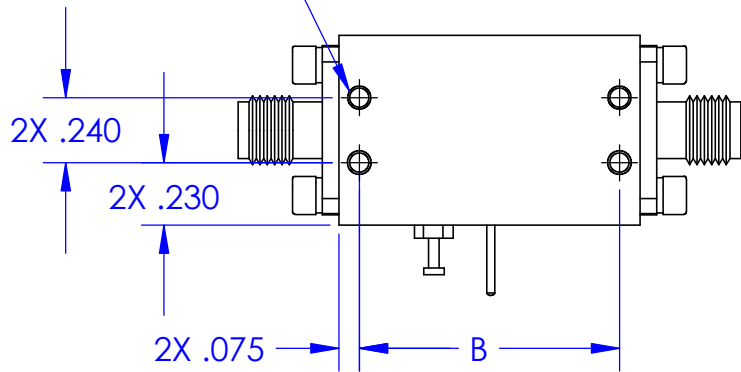


WT PROPRIETARY RELEASE



4X TAP #2-56 UNC-2B



TYPE	A	B	C	D
3	.910	.760	.560	.350
4	1.110	.960	.560	.350
6	1.510	1.360	.960	.750
8	1.910	1.760	1.360	1.150

COAX CONNECTOR OPTIONS:
SMA, 2.9mm, 2.4mm

- DRAWING NOTES:
UNLESS OTHERWISE SPECIFIED
1) ALL DIMENSION TOLERANCES
±.010 AFTER PLATING
2) RF CONNECTORS ARE K FEMALE
3) INTERPRET DRAWING PER ASME Y14.5M-1994

WRIGHT TECHNOLOGIES, Inc.

INSTALLATION DRAWING

WT KK, KV, VV SERIES